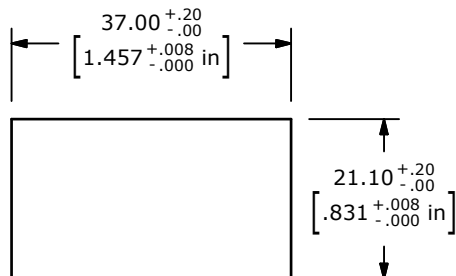
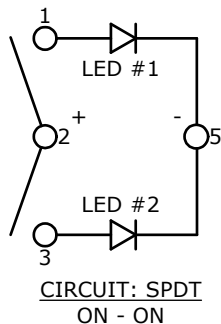
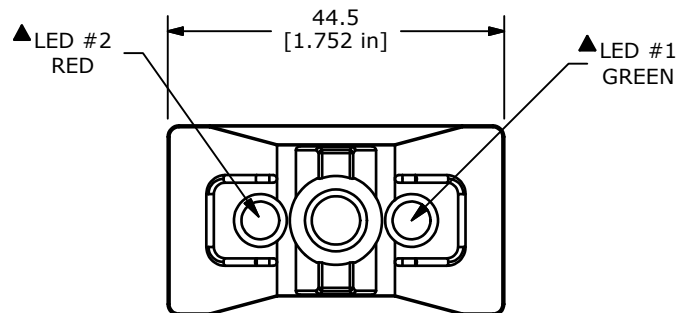


▲ SWITCH FUNCTION		
POS. 1	POS. 2	POS. 3
ON	N/A	ON
1-2	N/A	2-3

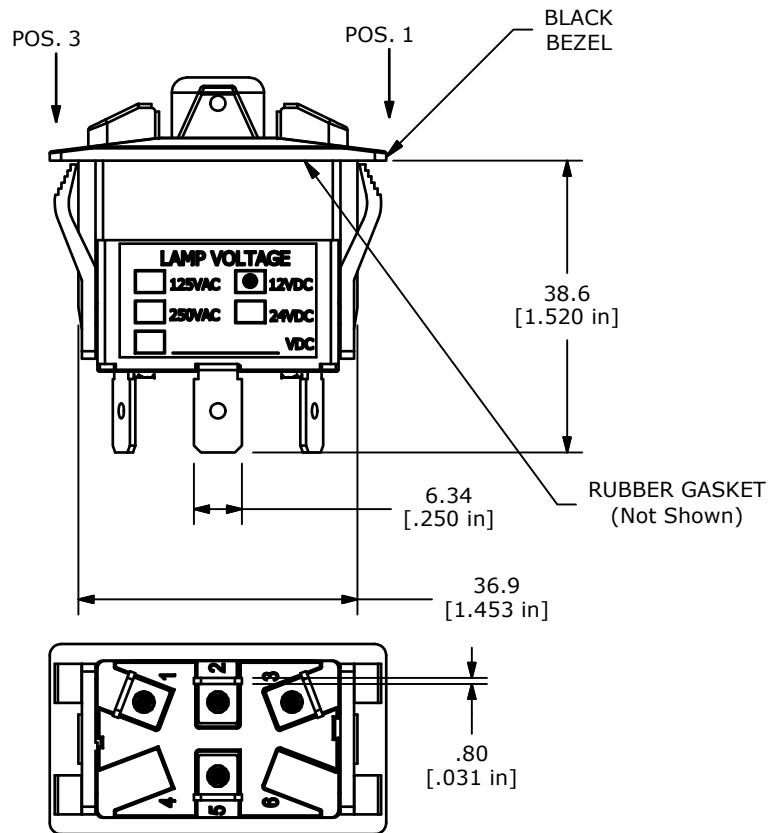
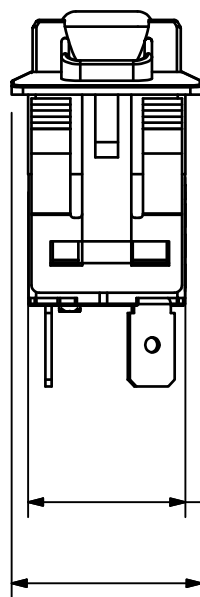


RECOMMENDED
PANEL CUT-OUT



NOTES:

- ALL DIMENSIONS IN MM [INCH]
- GENERAL TOLERANCE: X.X=±0.4
X.XX=±0.25
- TERM. NOS. FOR REF. ONLY
- RATING: 16A @ 30VDC, 50/60 Hz, μT55
UL LISTED
- ELECTRICAL LIFE: 10,000 CYCLES
- MECHANICAL LIFE: 30,000 CYCLES
- CONTACT RESISTANCE: <20 MILLI-OHMS INITIAL
- DIELECTRIC STRENGTH: >1,500V AC 1MIN
- INSULATION RESISTANCE: >100 MOHMS @ 500VDC
- OPERATING TEMP: 0°C to 55°C
- ▲ LED VOLTAGE: 12VDC
- ▲ DENOTES CRITICAL PARAMETER.
- 2002/95/EC (ROHS) COMPLIANT



B	21355	Drawing Cleanup	1/15/14	rc
A	21250	New Release	8/14/13	rc
REV	PCR NO	DESCRIPTION	DATE	BY

THE INFORMATION CONTAINED IN THIS DOCUMENT IS PROPRIETARY TO E-SWITCH AND IS NOT TO BE COPIED OR TRANSFERRED

TITLE R712FXX-SXXX2XDGRX				
SCALE 1:1	DATE 8/14/2013	DR rc	DWG C720012	REV B